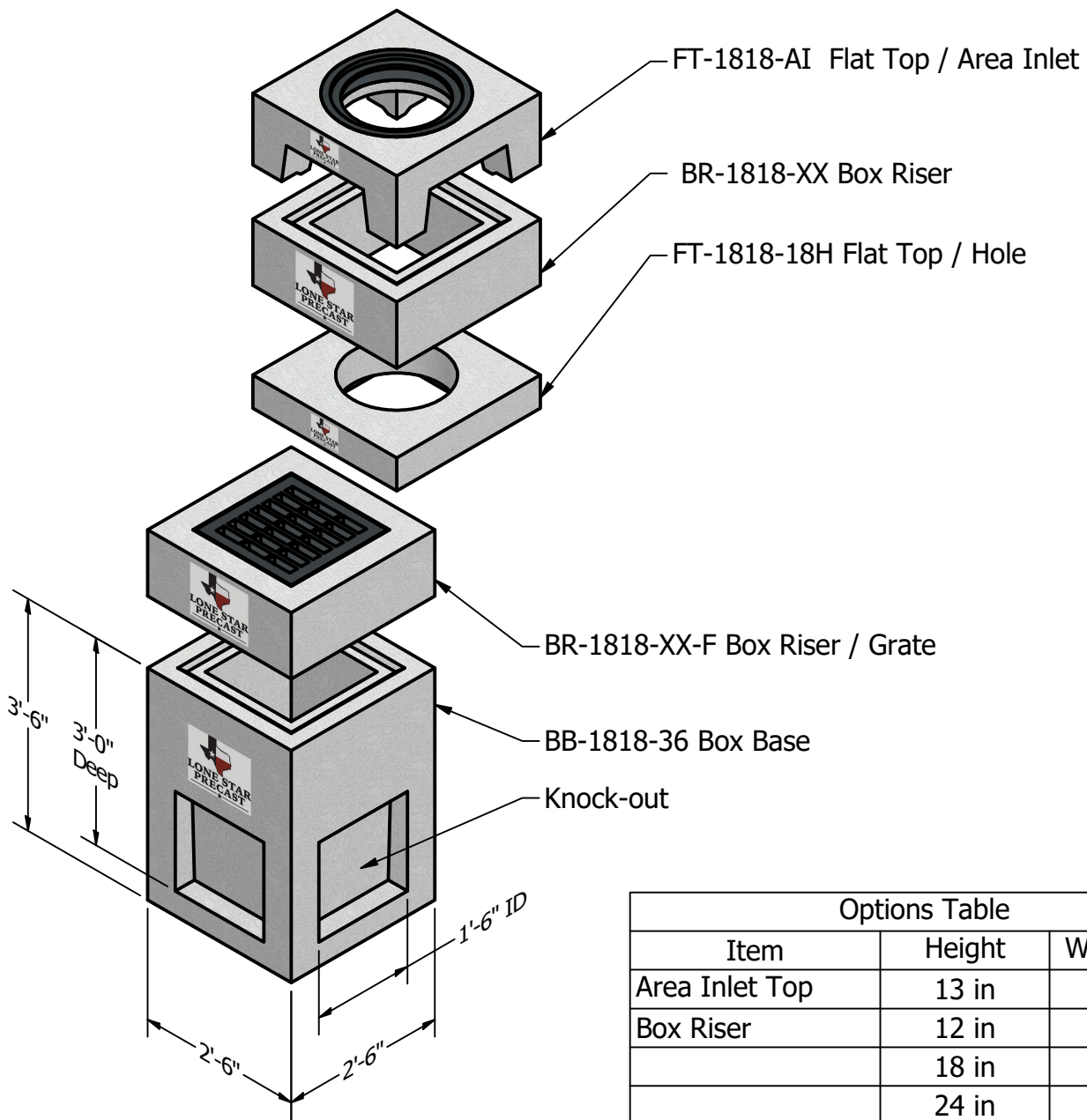


# 1'-6" X 1'-6" Storm Box with Options



### Specifications

Concrete strength: 5,000 PSI

Reinforcement:

- ASTM A-615 grade 60
- ASTM A1064

Options Table

Item	Height	Weight (lb)
Area Inlet Top	13 in	TBD
Box Riser	12 in	631
	18 in	900
	24 in	1,263
Flat Top / hole	6 in	TBD
Box Riser / Frame	12 in	631*
Box Base	60 in	2,141

\* Not including grate



Lone Star Precast  
454 Kelly Smith Lane  
Buda, Texas 78610  
Ph: 512.312.2121



TITLE  
1'-6" x 1'-6" Storm Box System

PART NO

DWG NO

REV

BB-1818 Storm System-SS

BB-1818 Storm System-SS.idw

DRAWN

RMD

2/25/2022

SCALE

1 / 25

Dimensions Unit: inch

SHEET 1 OF 1